

Technical Data Sheet - Radiance 16AX Wall Switch

Features

- ⊖ 5mm ultra thin - streamined contact surface.
- ⊖ Made from premium quality polycarbonate and top grade PA66 Nylon. It is fire and heat resistant, durable and shockproof.
- ⊖ Coloured indicators in every socket for easy identification.



Technical Specification

- ⊖ Rated Voltage: 250V a.c. 50Hz
- ⊖ Rated Current:
16AX - Fully rated for fluorescent and inductive load.
- ⊖ No. of cores to each Terminal hole:
5 x 1mm²
4 x 1.5mm²
3 x 2.5mm²
2 x 4mm²
- ⊖ Gap between Contact:
3mm nominal
- ⊖ Contact Material:
Ag-Ni Alloy
- ⊖ Operating Temperature:
-5°C to +40°C
- ⊖ IP Rating:
IP4X
- ⊖ Dimensions:
86 x 86 mm (1-4 Gang)
86 x 146 mm (5 Gang)
- ⊖ Fix Center:
60.3 mm (1-4 Gang)
120.6mm (5 Gang)
- ⊖ Fix Screws:
M3.5 x 18 mm
- ⊖ No. of operations
40,000 operation at 16 Amp
- ⊖ Comply to standards:
BS EN 60669
SS 227 with Safety Mark Approval
MS 616 with SIRIM mark

Package

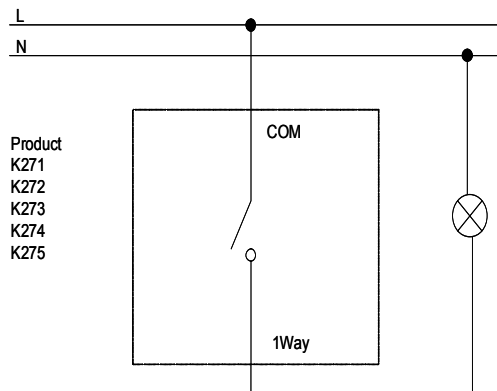
| | |
|----------------|----------|
| ⊖ Pack Size: | |
| 10 pcs | 1-4 Gang |
| 5 pcs | 5 Gang |
| ⊖ Carton Size: | |
| 100 pcs | 1-4 Gang |
| 50 pcs | 5 Gang |

Mounting Box

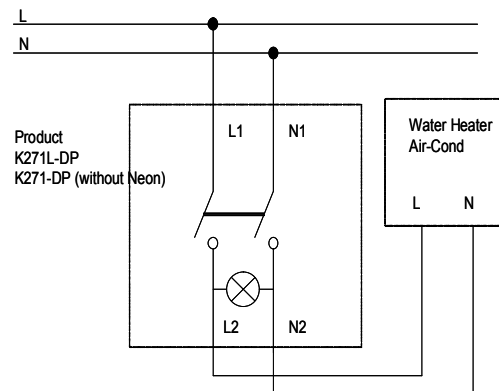
| | |
|-------------------------|----------|
| ⊖ 25mm depth or higher. | |
| B1125 (surface) | 1-4 Gang |
| B1125D (surface) | 5 Gang |
| M1025 (flush) | 1-4 Gang |
| M1025D (flush) | 5 Gang |

Wiring Circuit

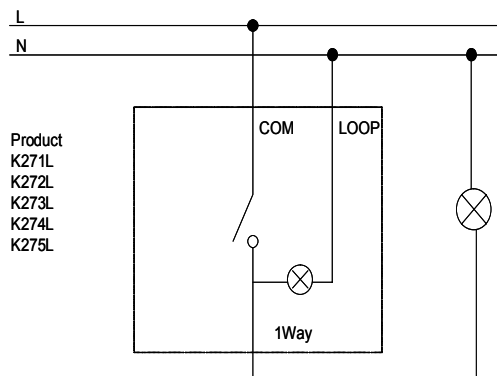
One Way Circuit



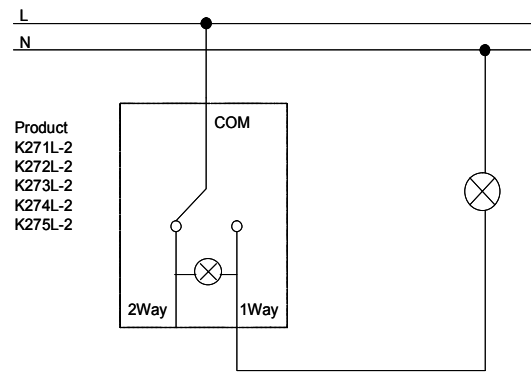
One Way Double Pole Circuit



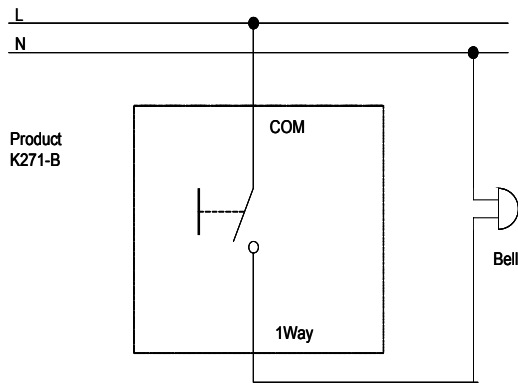
One Way Circuit with Neon



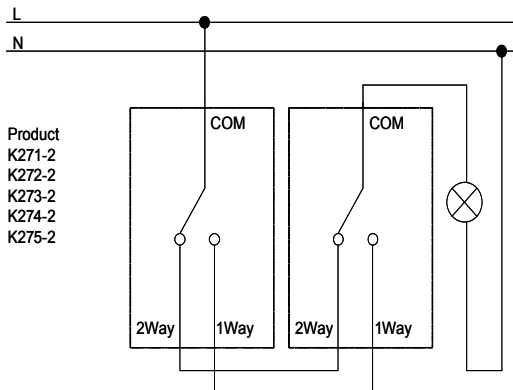
One Way Circuit with Dark-on Neon



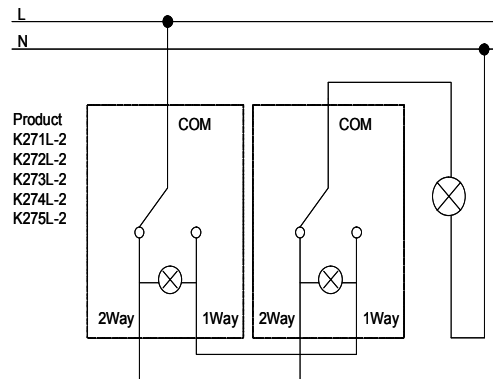
Bell Circuit



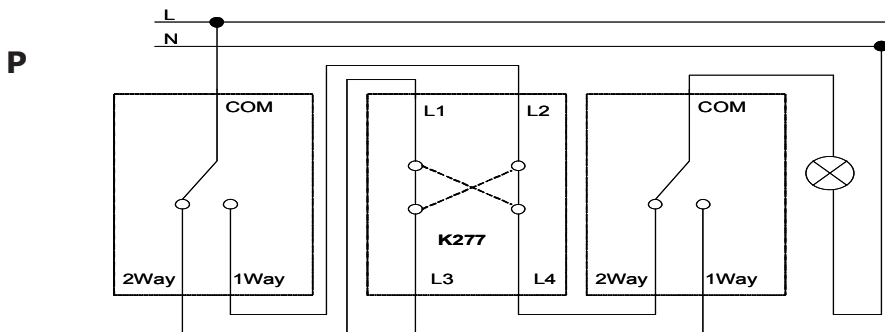
Two Way Circuit



Two Way Circuit with Dark-on Neon



Three Way Circuit



Product
K271-2
K272-2
K273-2
K274-2
K275-2
and
K277