

T&J ELECTRIC (SINGAPORE) PTE LTD

Company Registration No: 200205797Z
10 Ubi Crescent, #02-24, Ubi Techpark, Singapore 408564
Telephone: +65 6547-4333 Fax: +65 6547-4666

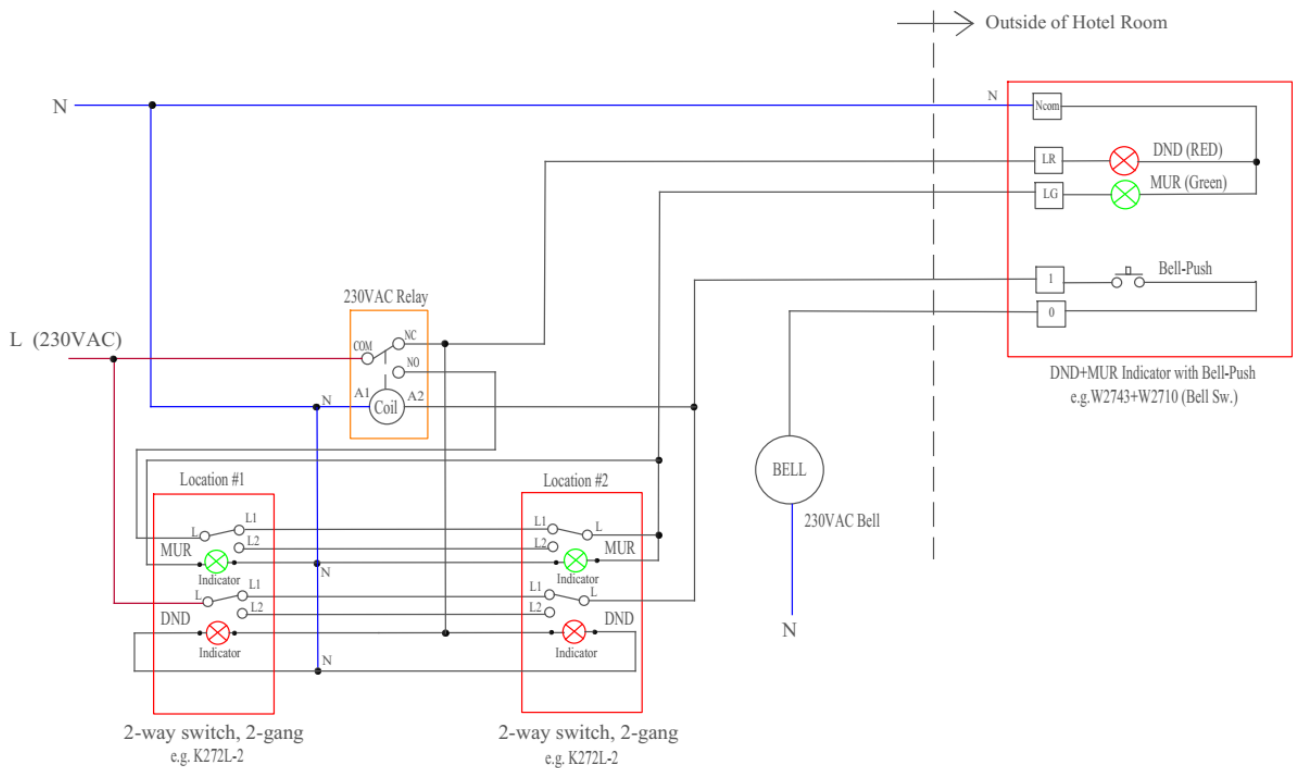
Date: 17th November 2021

Subject: Do-Not-Disturb/Make-Up-Room Switch at 2 Locations

Hotel room control:

For suite room, in some cases, there is a need for two Do-Not-Disturb (DND) and Make-Up-Room (MUR) switches at 2 different locations with one DND and one MUR indicator with Bell-push just out the room door. The following connection diagram meets this requirement (230VAC).

Connection Diagram



T&J ELECTRIC (SINGAPORE) PTE LTD

Company Registration No: 200205797Z
10 Ubi Crescent, #02-24, Ubi Techpark, Singapore 408564
Telephone: +65 6547-4333 Fax: +65 6547-4666

Date: 17th November 2021

Subject: Do-Not-Disturb/Make-Up-Room Switch at 2 Locations

Function Table

Switch Location #1		Switch Location #2		Indicators outside door		Bell-Push
DND	MUR	DND	MUR	DND	MUR	BELL
On	Off	Off	Off	On	Off	Disable
Off	On	Off	Off	Off	On	Enable
Off	Off	On	Off	On	Off	Disable
Off	Off	Off	On	Off	On	Enable
On	On	Off	Off	On	Off	Disable
Off	Off	On	On	On	Off	Disable

Note:

1. DND switch has priority over MUR switch
2. DND switch has to be OFF to switch on MUR switch
3. When DND is switched ON, MUR indicator automatically OFF
4. The DND/MUR switch can switch on/off individually with interlocking logic function
5. Two-way switching, should not label "On" or "Off" on the switch

Recommended Parts

- T&J K272L-2 (2-gang, 2-way Switch with Indicator) x2
- T&J W2743+W2710 (DND+MUR Indicator & Bell-push) x1
- AC Relay (230VAC, Form-C Relay – example: Schrack PT270730) x1