

Date: 22nd September 2020

Product Info: **Infinitt: 15A 1-Gang Switched Socket**

Features:

- Made from premium quality polycarbonate and top grade PA66 Nylon, fire/heat resistant and durable.
- Large wiring terminals for easy connections.



HC8615

Technical Specification

- Rated Voltage: 250VAC, 50/60Hz
- Rated Current: 15A
- Recommended wire size: 2.5mm² - 4mm²
- Dimensions: 86x86 mm
- Fix Center: 60.3 mm
- Fix Screws: M3.5x0.6x30±
- Standards: BS 546, SS 472, MS 1577
- Packing: 1 Carton/10 Boxes/100 pcs

Mounting Box

- >35mm depth
- R1150, flush mounting, plastic
- M1247, flush mounting, metal

Connection terminals

(product back view):

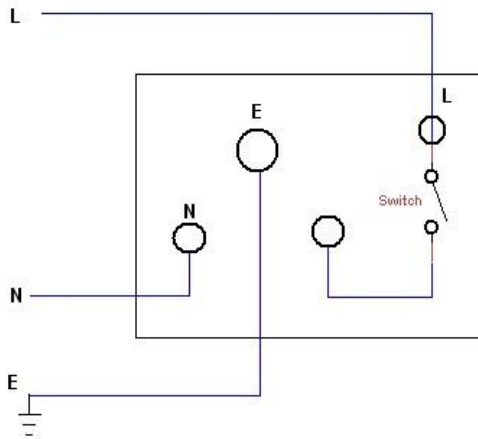


HC8615S

Description	Product Code
15A 1-Gang Switched BS Socket Outlet	HC8615S

Typical wiring

HC8615S



Colours and Finishes

Code	Colour/Texture
WH	White
ST5	Champagne grey
SBL	Matt black
PS7	Dark champagne
MSB	Matt silver black

Other colours are available, please contact T&J Sales representative

Note:

For high current load application, use of ferrules/sheaths for wire terminations is recommended.