

**Date:** 11<sup>th</sup> September 2020

**Product Info:** **Infinitt: 20A/32A 1-Gang DP Switch with LED indicator**

### Features:

- Made from premium quality polycarbonate and top grade PA66 Nylon, fire/heat resistant and durable.
- Large wiring terminals for easy connections.



HC2721L-DP (20A)



HC2732L (32A)

### Technical Specification

- Rated Voltage: 250VAC, 50/60Hz
- Rated Current:  
20AX (HC2721L-DP)  
32A (HC2732L)
- Recommended wire size:  
4mm<sup>2</sup> - 6mm<sup>2</sup> (HC2721L-DP)  
6mm<sup>2</sup> - 10mm<sup>2</sup> (HC2732L)
- Dimensions: 86x86 mm
- Fix Center: 60.3 mm
- Fix Screws: M3.5x0.6x30±
- Standards:  
BSEN 60669-1, IEC 60669
- Packing:  
1 Carton/10 Boxes/100pcs

### Mounting Box

- >25mm depth
- R1150, flush mounting, plastic
- M1247, flush mounting, metal

### Connection terminals

(product back view):



HC2721L-DP (20A)

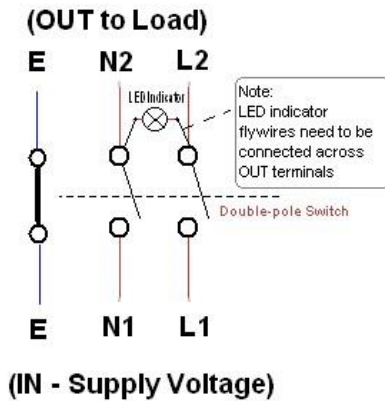


HC2732L (32A)

Description	Product Code
20A 1-Gang DP Switch with LED indicator (Blue)	HC2721L-DP
32A 1-Gang DP Switch with LED indicator (Red)	HC2732L

## Typical wiring

### HC2721L-DP

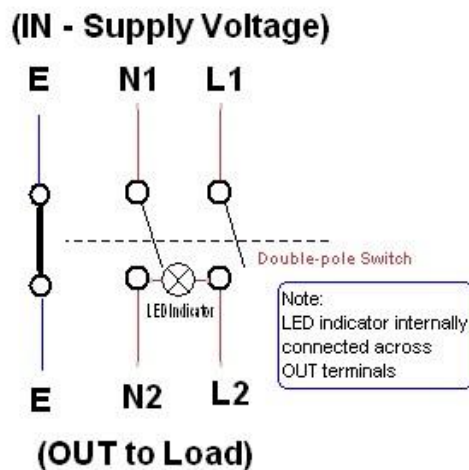


## Colours and Finishes

Code	Colour/Texture
WH	White
ST5	Champagne grey
SBL	Matt black
PS7	Dark champagne
MSB	Matt silver black

Other colours are available, please contact T&J Sales representative

### HC2732L



### Note:

For high current load application, use the ferrules/sheaths provided for wire terminations.

