

**Date:** 10<sup>th</sup> September 2020

**Product Info:** **Infinitt: Switched BS Socket Outlet (1-Gang & 2-Gang)**

### Features:

- Made from premium quality polycarbonate and top grade PA66 Nylon, fire/heat resistant and durable.
- Captive screws on terminals for ease of installation and to avoid screws misplacement.
- Extra-large wiring terminals for easy connections.



HC8613S-ST5 (1-gang)



HC8613SD-WH (2-gang)

### Technical Specification

- Rated Voltage: 250VAC, 50/60Hz
- Rated Current: 13A
- Recommended wire size:  
2.5mm<sup>2</sup> - 4mm<sup>2</sup>
- Dimensions: 86x86 mm (1-gang)  
146x86 mm (2-gang)
- Fix Center: 60.3 mm (1-gang)  
120.6 mm (2-gang)
- Fix Screws: M3.5x0.6x30±
- Comply to standards:  
BS 1363-2, SS 145-2, MS 589-2

### Connection terminals

(product back view):



HC8613S (1-gang)



HC8613SD (2-gang)

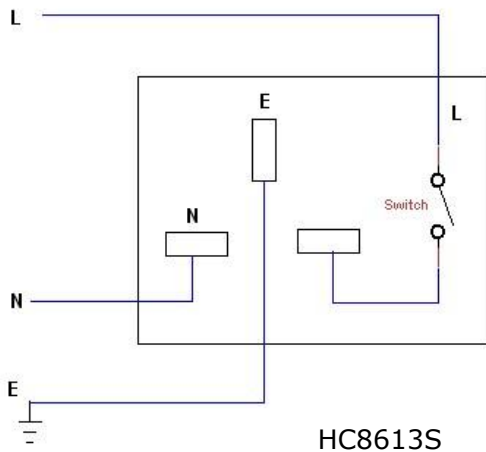
- Packing:  
 1 Carton/10 Boxes/100pcs (1-gang)  
 1 Carton/5 Boxes/50 pcs (2-gang)

Description	Product Code
13A 1-Gang Switched BS Socket	HC8613S
13A 2-Gang Switched BS Socket	HC8613SD

### Mounting Box

- >35mm depth
- R1150, flush mounting, plastic
- M1247, flush mounting, metal

### Typical wiring



### Colours and Finishes

Code	Colour/Texture
WH	White
ST5	Champagne grey
SBL	Matt black
PS7	Dark champagne
MSB	Matt silver black

Other colours are available, please contact T&J Sales representative