

Date: 3th September 2020

Product Info: **Infinit Switches: 1-way & 2-way Without Indicator**

Features:

- Made from premium quality polycarbonate and top grade PA66 Nylon, fire/heat resistant and durable.
- Captive screws on terminals for ease of installation and to avoid screws misplacement.
- Extra-large wiring terminals for easy connections.
- Available up to 4-gang in single 86x86 cm face plate.
- Large rockers for ease of operation.
- 16AX rated switches for resistive and inductive load applications.



HC2711



HC2712



HC2713



HC2714

Technical Specification

- Rated Voltage: 250VAC, 50/60Hz
- Rated Current: 16AX
- Recommended wire size:
2.5mm² - 4mm²
- Dimensions:
86 x 86 mm (1-4 Gang)
- Fix Center:
60.3 mm (1-4 Gang)
- Fix Screws:
M3.5x0.6x30±

Connection terminals (product back view):



HC2711
(1-gang, 1-way)



HC2713-2
(3-gang, 2-way)

- Comply to standards:
BSEN 60669-1, GB/T 16915.1,
IEC 60669SS
- Packing: 1 Carton/10 Boxes/100pcs

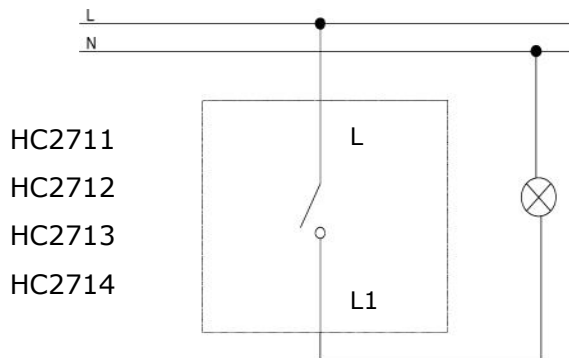
Mounting Box

- >25mm depth
- R1150, flush mounting, plastic
- M1247, flush mounting, metal

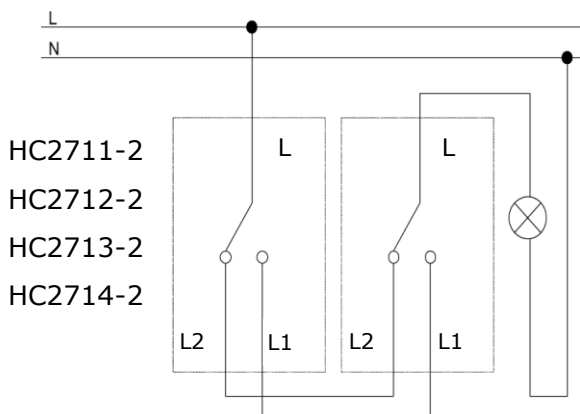
Description	Product Code
16AX 1-Gang 1-Way	HC2711
16AX 1-Gang 2-Way	HC2711-2
16AX 2-Gang 1-Way	HC2712
16AX 2-Gang 2-Way	HC2712-2
16AX 3-Gang 1-Way	HC2713
16AX 3-Gang 2-Way	HC2713-2
16AX 4 Gang 1 Way	HC2714
16AX 4 Gang 2 Way	HC2714-2

Wiring Circuit

One-way switch circuit



Two-way switch circuit



Colours and Finishes

Code	Colour/Texture
WH	White
ST5	Champagne grey
SBL	Matt black
PS7	Dark champagne
MSB	Matt silver black

Other colours are available, please contact T&J Sales representative