

## T&J ELECTRIC (SINGAPORE) PTE LTD

Company Registration No: 200205797Z  
10 Ubi Crescent, #02-24, Ubi Techpark, Singapore 408564  
Telephone: +65 6547-4333 Fax: +65 6547-4666

Date: Feb 25<sup>th</sup> , 2020

**Subject: Product Info : Infinit Keycard Switch**

### Overview:

- Keycard Switch is suitable for guest room in hotel, or any similar applications - to control main power supply on/off when a card is inserted.
- An indicator light on the front allows the guest to locate the key card switch easily in the dark.
- When the card is slotted in, main power is switched on in the guest room.
- When the keycard is removed, after a time delay of about 30 sec, the main power is automatically switched off.
- This product will provide a safe, reliable way to control and save energy.



Front View (HC4226KT)

### General Specifications:

- Product Range: **infinit**  
Applicable colours such as:  
White (LWH), Matt Black (ST), etc.
- Dimension: 86 mm x 86 mm
- Time delay: 35 sec. +/- 10s
- Compliance: GB/T 16915, IEC 60669
- Recommended wire size: 4.0 – 6.0 mm<sup>2</sup>
- Mounting box: ≥35mm depth
- Fix screw (x2): M3.5x0.6x30±
- Fix centre:60.3mm
- Packing: 5 pcs/1 box, 10 boxes/1 carton



Back View (HC4226KT)

**T&J ELECTRIC (SINGAPORE) PTE LTD**

Company Registration No: 200205797Z  
10 Ubi Crescent, #02-24, Ubi Techpark, Singapore 408564  
Telephone: +65 6547-4333 Fax: +65 6547-4666

Date: Feb 25<sup>th</sup>, 2020

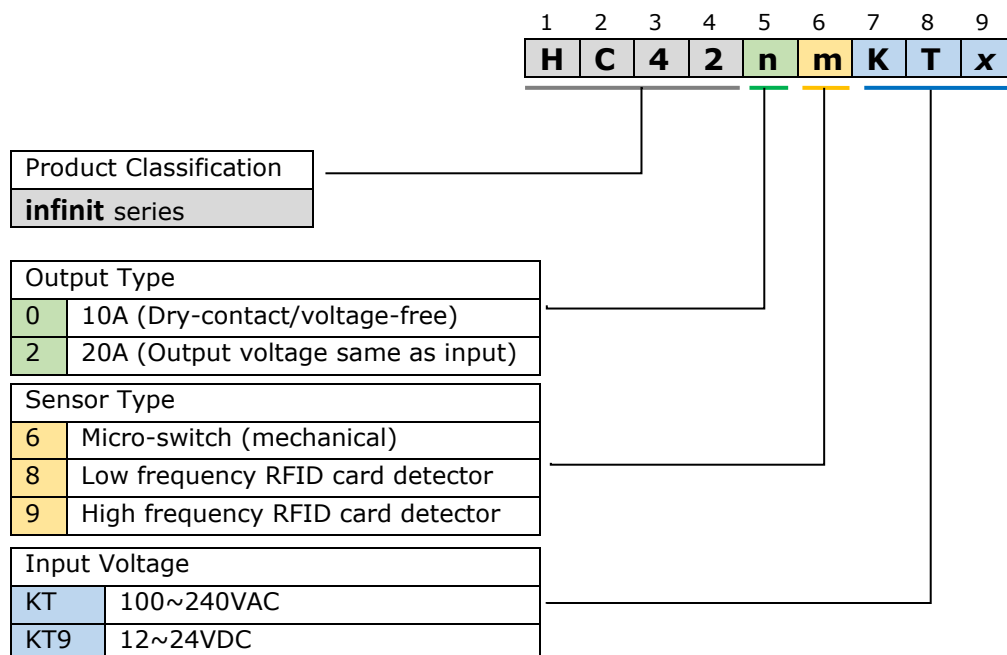
**Subject: Product Info : Infinit Keycard Switch**

**Applicable Products:**

Card Detection Method	Product code	Input Voltage	Output (max. rating)
Mechanical (Micro-switch)	HC4226KT	100~240VAC	20A 100-240VAC
	HC4206KT	100~240VAC	Dry-contact (10A@240VAC)
	HC4206KT9	12~24VDC	Dry-contact (10A@240VAC)
RF, Low Frequency (125KHz)	HC4228KT	100~240VAC	20A, 100~240VAC
	HC4208KT	100~240VAC	Dry-contact (10A@240VAC)
	HC4208KT9	12~24VDC	Dry-contact (10A@240VAC)
RF, High Frequency* (13.56MHz)	HC4229KT	100~240VAC	20A, 100~240VAC
	HC4209KT	100~240VAC	Dry-contact (10A@240VAC)
	HC4209KT9	12-24VDC	Dry-contact (10A@240VAC)

\* MiFare Classic 1K and 4K RFID card

**Product code:**



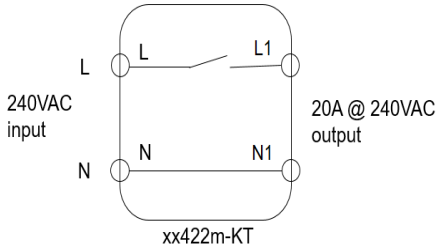
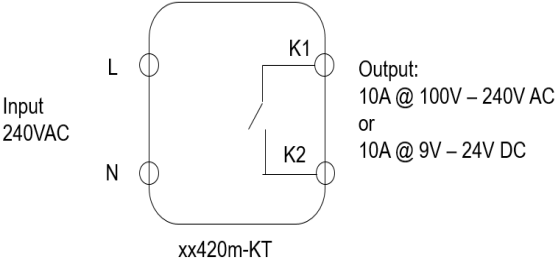
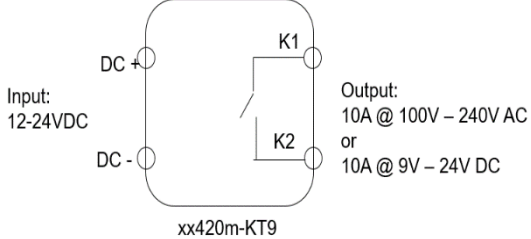
**T&J ELECTRIC (SINGAPORE) PTE LTD**

Company Registration No: 200205797Z  
10 Ubi Crescent, #02-24, Ubi Techpark, Singapore 408564  
Telephone: +65 6547-4333 Fax: +65 6547-4666

Date: Feb 25<sup>th</sup> , 2020

Subject: **Product Info : Infinit Keycard Switch**

**Connection Diagram:**

Product code:	Input/Output:	Termination:
HC422m-KT	Input: 100-240VAC Output: 20A@240VAC	
HC420m-KT	Input: 100-240VAC Output: Dry-contact 10A	
HC420m-KT9	Input: 12-24VDC Output: Dry-contact 10A	

**T&J ELECTRIC (SINGAPORE) PTE LTD**

Company Registration No: 200205797Z  
10 Ubi Crescent, #02-24, Ubi Techpark, Singapore 408564  
Telephone: +65 6547-4333 Fax: +65 6547-4666

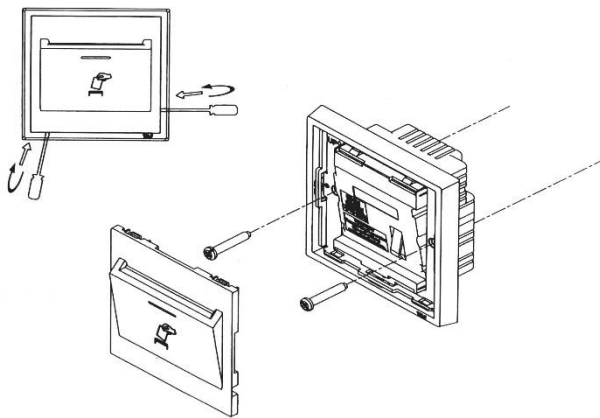
Date: Feb 25<sup>th</sup> , 2020

**Subject: Product Info : Infinit Keycard Switch**

---

**Installation:**

Disassembling Diagram



**Installation & Application note:**

1. Before installation, ensure that the main power supply is switched off and carry out installation by a qualified electrical technician.
2. Wire up the keycard switch as shown in the wiring diagram, ensure that the connections are properly tightened, use ferrules on wire if wire size is not within the recommended.
3. After installation, power on the keycard switch, after a short warm-up time, the unit now enter a standby mode.
4. To activate the output power, user slots in the card. To remove the output power, pull out the card. After a delay of about 30 seconds, output power will be automatically cut off. The user will have sufficient time to leave the room during the time-delay power off.
5. Do not overloading the switch, the maximum current rating is as specified.
6. RFID Keycard Switch detects the specified frequency only, no reading of data on card.
7. High frequency (13.56MHz) RFID Keycard Switch supports **MiFare Classic 1K and 4K** card or compatible cards.
8. Other DC input voltages (<12VDC or >24VDC) to Keycard Switch with "KT9" suffix (e.g. HC4209-KT9) is only available as custom-made product.