

T&J ELECTRIC (SINGAPORE) PTE LTD

Company Registration No: 200205797Z
10 Ubi Crescent, #02-24, Ubi Techpark, Singapore 408564
Telephone: +65 6547-4333 Fax: +65 6547-4666

Date: 14th June 2019

Subject: Product Info:
JC801-B-W (24V Bell-Push Switch)

Technical Data:

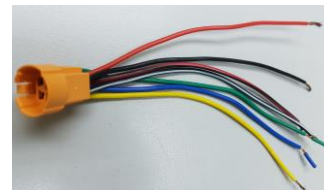
- Product Range: **Lavina "95"**
(Intermediate Module)
Applicable colours such as:
White (LWH), Black (LBL), Gray (LGR), etc.
- Bell-Push (Momentary Switch) Rating:**
- Rated Voltage: 250VAC 50/60Hz
- Rated Current: 3A
- LED Ring Rating:**
- Rated Voltage: 9~24VDC
- LED Current: ≤20mA @24VDC
- Dimension: ~74.1 mm x 74.1 mm
- Fix Center: 60 mm
- Fix Screw: M3.5x0.6x23.5mm±
- Mounting box: ≥35mm depth
- Compatible with Palladiom (Lutron) frame
- Packing: 5 pcs/1 box, 10 boxes/1 carton



Front View of JC801-B-W-SBL

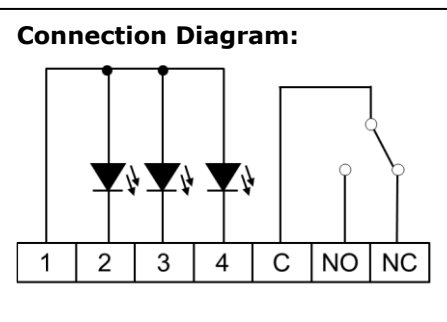


Back View of JC801-B-W-SBL



Connector with wires (~150mm)

Pin	Wire colour	Function
1	Red	LED +Common +9V ~ 24VDC
2	Black	LED - Blue or White
3	Red-Black	LED - Red
4	White-Black	LED - Green
C	Green	Common (Push-Button)
NO	Blue	Normally Open (Push-Button)
NC	Yellow	Normally Close (Push-Button)



T&J ELECTRIC (SINGAPORE) PTE LTD

Company Registration No: 200205797Z
10 Ubi Crescent, #02-24, Ubi Techpark, Singapore 408564
Telephone: +65 6547-4333 Fax: +65 6547-4666

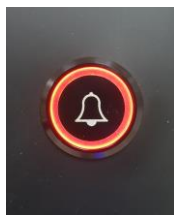
Date: 14th June 2019

Subject: Product Info:
JC801-B-W (24V Bell-Push Switch)

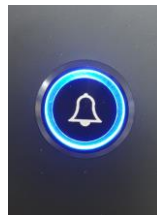
Three-colour LED ring (Ø19mm):



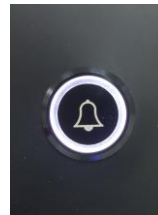
Green



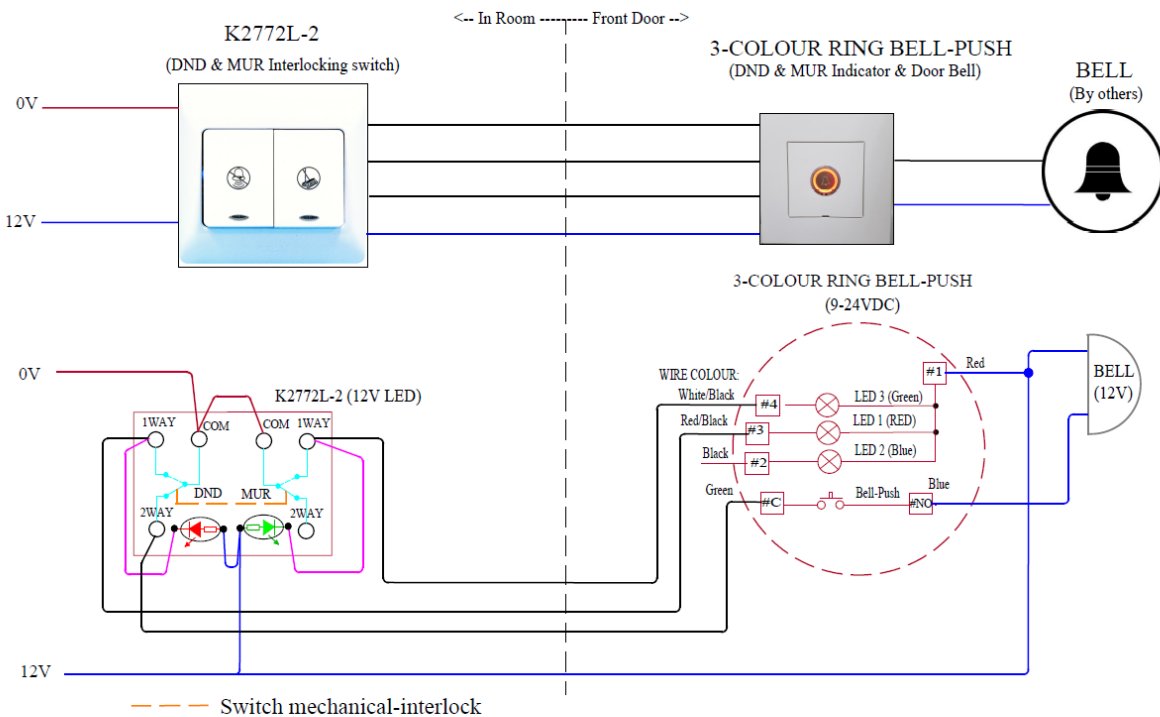
Red



3rd Colour: Blue or White



Connection Diagram with T&J DND/MUR Switch:



SAMPLE CONNECTION FOR DND/MUR SWITCH TO 3-COLOUR RING BELL-PUSH

T&J ELECTRIC (SINGAPORE) PTE LTD

Company Registration No: 200205797Z
10 Ubi Crescent, #02-24, Ubi Techpark, Singapore 408564
Telephone: +65 6547-4333 Fax: +65 6547-4666

Date: 14th June 2019

Subject: Product Info:
JC801-B-W (24V Bell-Push Switch)

Connection Diagram when using with RCU/Control System:

