

**T&J ELECTRIC (SINGAPORE) PTE LTD**

Company Registration No: 200205797Z  
10 Ubi Crescent, #02-24, Ubi Techpark, Singapore 408564  
Telephone: +65 6547-4333 Fax: +65 6547-4666

Date: 15/07/2015

**Subject: Product Info: CM8513M-WSS (1-Gang Floor Socket)**

**Overview:**

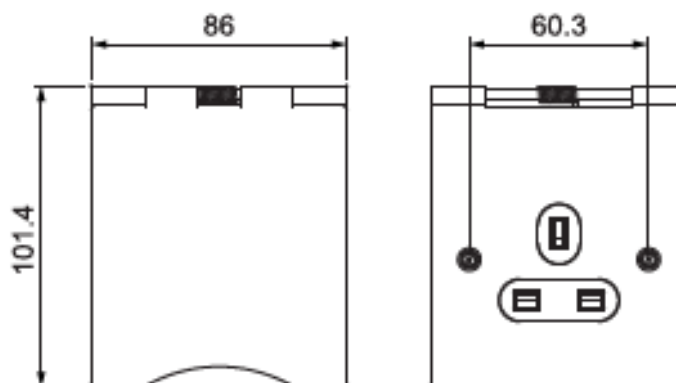
- Single gang 13A Floor Socket with protective stainless steel Flip-up Flap.
- Applicable for indoor only and suitable for floor finishes like cement, tiles, carpet, etc
- Can be wall mounted on standard BS KO boxes
- Available as 2-Gang (CM8513DM-WSS).

**Technical Data (13A Socket)**

- Product Range: Floor Sockets
- Rated Voltage: 250VAC 50/60Hz
- Rated Current: 13A.
- Terminal Hole: 4.5mm
- Fix Center: 60.3 mm
- Fix Screws: M3.5x0.6x23.5±
- Mounting Box: 25 mm depth min.
- Face plate Material : Stainless steel (1.5mm)



**Single-gang socket general dimensions:**



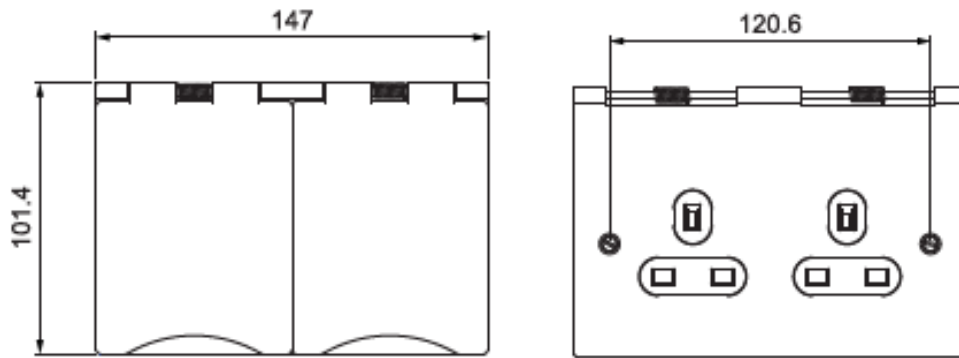
**T&J ELECTRIC (SINGAPORE) PTE LTD**

Company Registration No: 200205797Z  
10 Ubi Crescent, #02-24, Ubi Techpark, Singapore 408564  
Telephone: +65 6547-4333 Fax: +65 6547-4666

Date: 15/07/2015

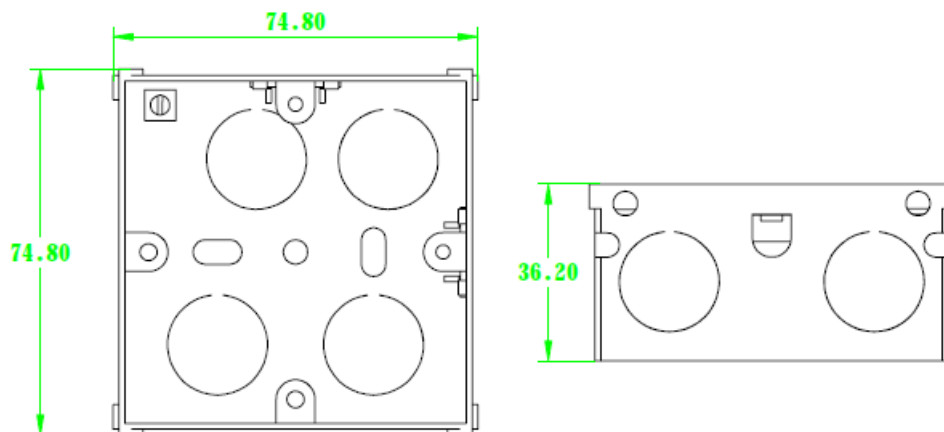
**Subject: Product Info: CM8513M-WSS (1-Gang Floor Socket)**

**Two-gang socket general dimensions:**



**Accessories:**

M1035: Pattress Box: 1-Gang 72x32x35mm Metallic (Flush Mounting)



For 2-Gang Floor socket (CM8513DM-WSS), use M1035D Pattress Box: 132x72x35mm ( Flush mounting)