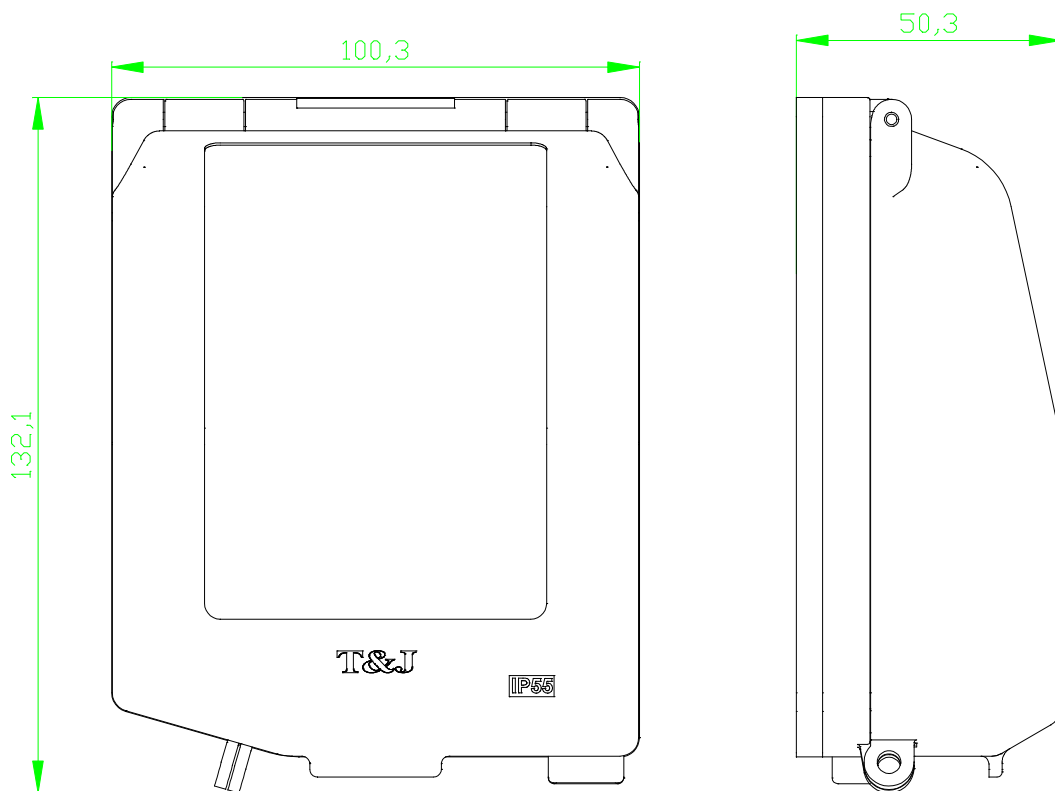


**T&J ELECTRIC (SINGAPORE) PTE LTD**

Company Registration No: 200205797Z  
10 Ubi Crescent, #02-24, Ubi Techpark, Singapore 408564  
Telephone: +65 6547-4333 Fax: +65 6547-4666

Date: 15/05/2014

Subject: **TM-020059 : Product Info Weatherproof Cover K141, K141-CL**



**Overview:**

**Features**

- This is a 1 gang weatherproof cover for sockets (IP55) with lock.