

**T&J ELECTRIC (SINGAPORE) PTE LTD**

Company Registration No: 200205797Z  
10 Ubi Crescent, #02-24, Ubi Techpark, Singapore 408564  
Telephone: +65 6547-4333 Fax: +65 6547-4666

Date: March 5<sup>th</sup>, 2020

**Subject: Product Info : Radiance Keycard Switches (TM-020055)**

---

**Overview:**

- Keycard Switch is suitable for guest room in hotel, or any similar applications -to control main power supply on/off when a card is inserted.
- A RED Indicator on the front allows the guest to locate the key card switch easily in the dark.
- When the card is slotted in, main power is switched on in the guest room.
- When the keycard is removed, after a time delay of about 30 sec, the main power is automatically switched off.
- This product will provide a safe, reliable way to control and save energy for modern hotel rooms.



Front View of Radiance Keycard

**T&J ELECTRIC (SINGAPORE) PTE LTD**

Company Registration No: 200205797Z  
10 Ubi Crescent, #02-24, Ubi Techpark, Singapore 408564  
Telephone: +65 6547-4333 Fax: +65 6547-4666

Date: March 5<sup>th</sup>, 2020

**Subject: Product Info : Radiance Keycard Switches (TM-020055)**

**Applicable Products:**

Product code	Input Voltage	Output	Card Detection type
K6-2KT	100~240VAC	20A 100-240VAC	Mechanical
K6-KT	100~240VAC	Dry-contact output (10A@230VAC, 10A@30VDC)	
K6-KT9	9~24V AC/DC	Dry-contact output (10A@230VAC, 10A@30VDC)	
K6-KT9A	9~24V AC/DC	Dry-contact output (20A@230VAC, 20A@30VDC)	
K8-2KT	100~240VAC	20A, 100~240VAC	RF, Low Frequency 125KHz
K8-KT	100~240VAC	Dry-contact output (10A@230VAC, 10A@30VDC)	
K8-KT9	9~24V AC/DC	Dry-contact output (10A@230VAC, 10A@30VDC)	
K9-2KT	100~240VAC	20A, 100~240VAC	RF, High Frequency 13.56MHz
K9-KT	100~240VAC	Dry-contact output (10A@230VAC, 10A@30VDC)	
K9-KT9	9-24V AC/DC	Dry-contact output (10A@230VAC, 10A@30VDC)	

**T&J ELECTRIC (SINGAPORE) PTE LTD**

Company Registration No: 200205797Z  
10 Ubi Crescent, #02-24, Ubi Techpark, Singapore 408564  
Telephone: +65 6547-4333 Fax: +65 6547-4666

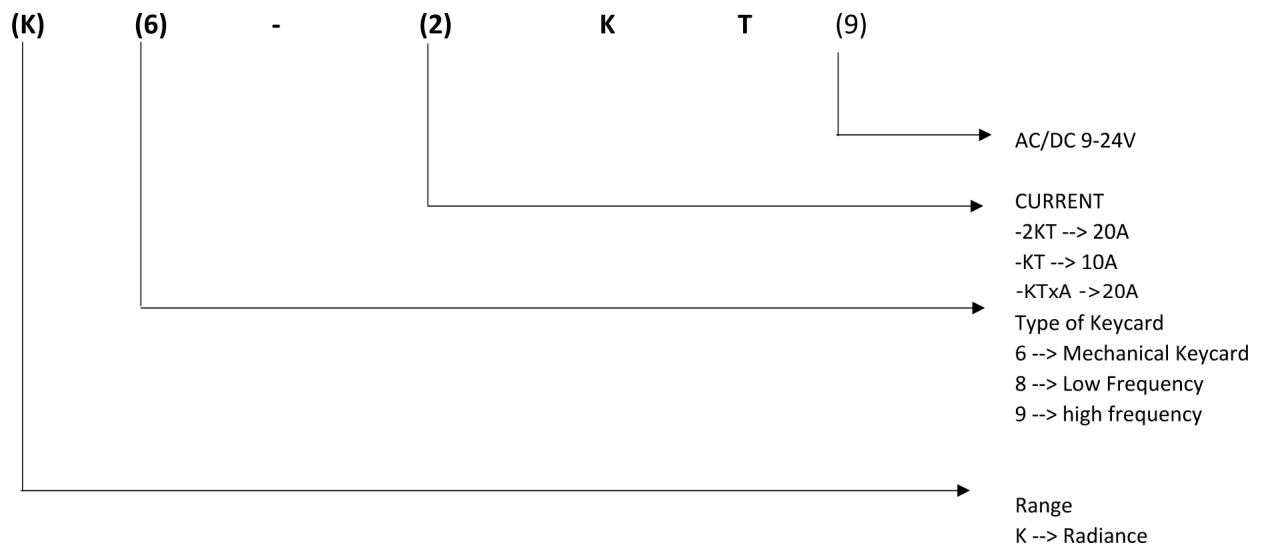
Date: March 5<sup>th</sup>, 2020

**Subject: Product Info : Radiance Keycard Switches (TM-020055)**

**Technical Data:**

- Product Range: **Radiance**
- All color code for Radiance is applicable on this product.
- Off-delay time: 30±10s
- Recommended wire size: 4.0 ~ 6.0mm<sup>2</sup>
- Environmental temperature:  
-10°C to +45°C,
- Dimension: 86 \* 86 mm
- Package: 50 pcs per carton

**Product codes:**



**T&J ELECTRIC (SINGAPORE) PTE LTD**

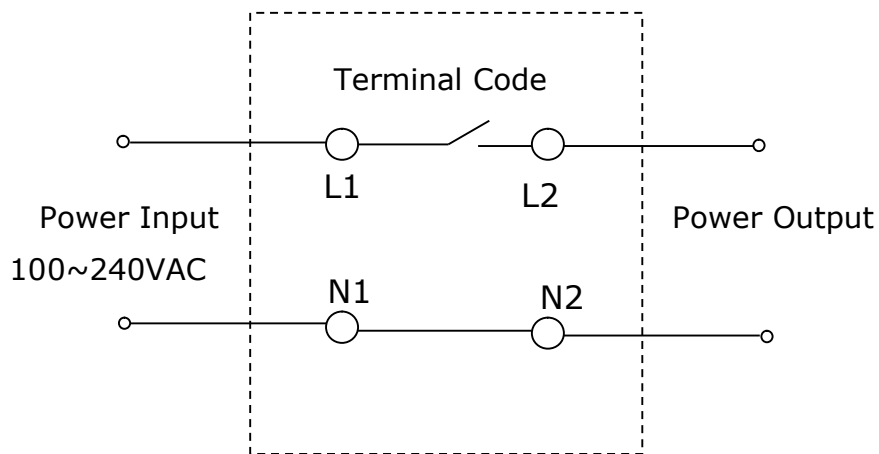
Company Registration No: 200205797Z  
10 Ubi Crescent, #02-24, Ubi Techpark, Singapore 408564  
Telephone: +65 6547-4333 Fax: +65 6547-4666

Date: March 5<sup>th</sup>, 2020

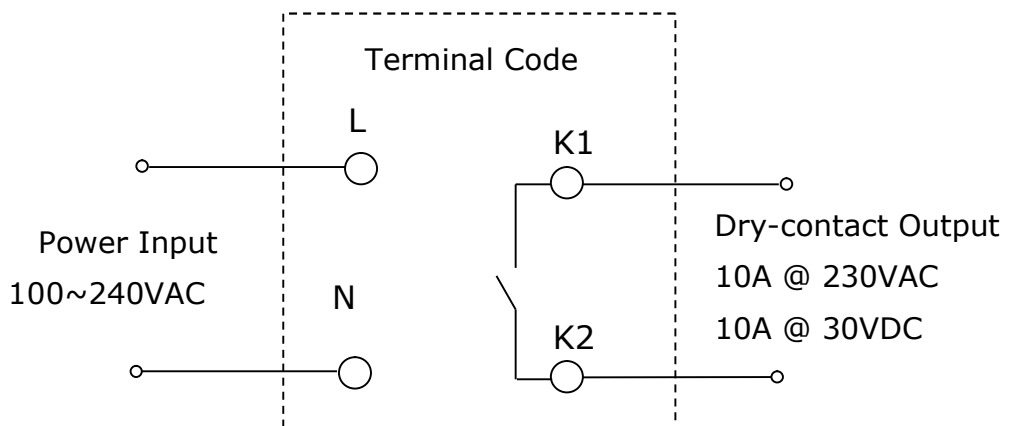
**Subject: Product Info : Radiance Keycard Switches (TM-020055)**

**Wiring Diagram:**

**XX-2KT:**



**XX-KT:**



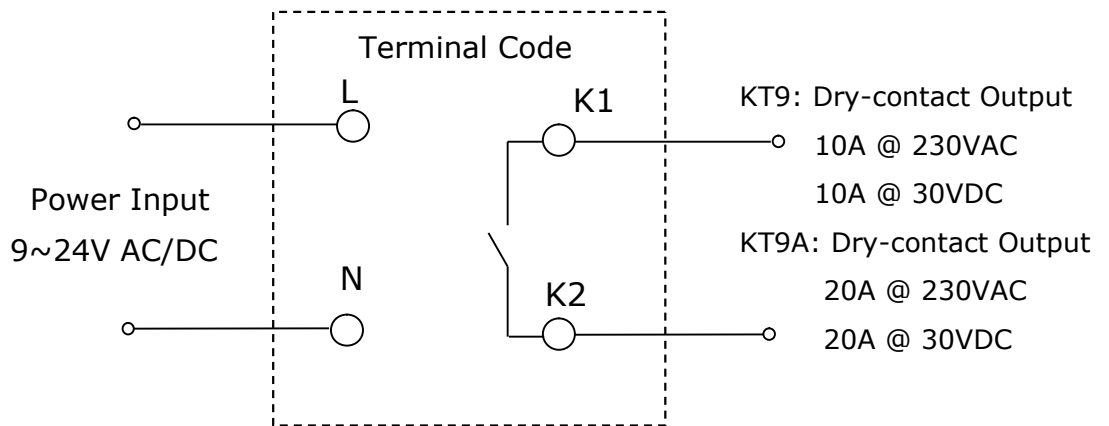
**T&J ELECTRIC (SINGAPORE) PTE LTD**

Company Registration No: 200205797Z  
10 Ubi Crescent, #02-24, Ubi Techpark, Singapore 408564  
Telephone: +65 6547-4333 Fax: +65 6547-4666

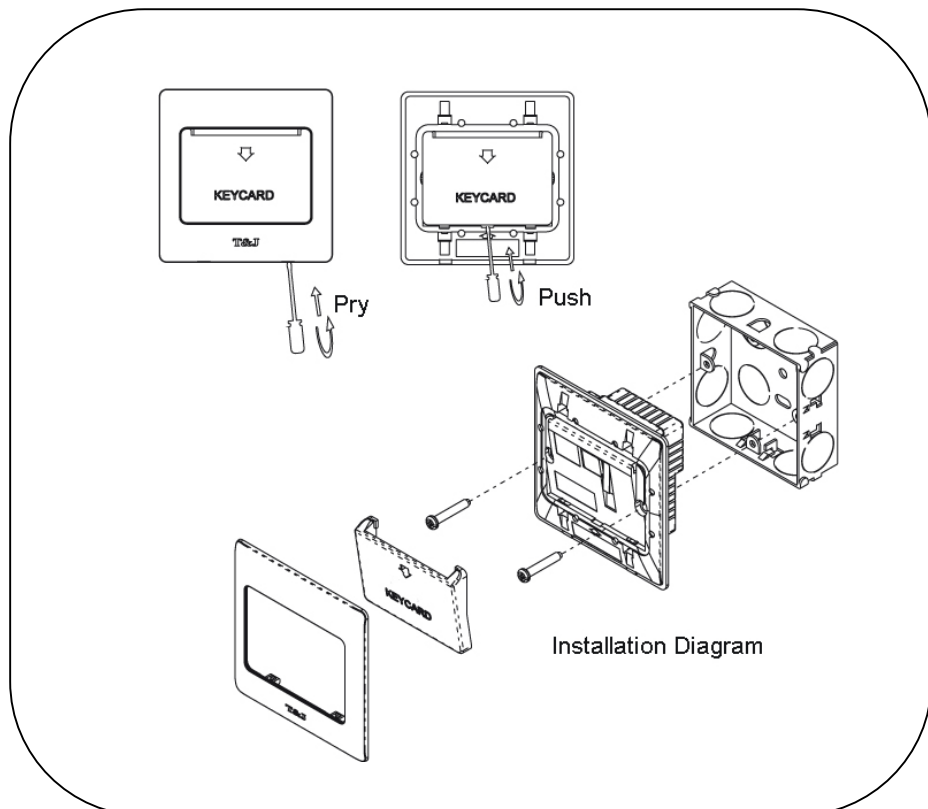
Date: March 5<sup>th</sup>, 2020

**Subject: Product Info : Radiance Keycard Switches (TM-020055)**

**XX-KT9x:**



**Mounting Method**



**T&J ELECTRIC (SINGAPORE) PTE LTD**

Company Registration No: 200205797Z  
10 Ubi Crescent, #02-24, Ubi Techpark, Singapore 408564  
Telephone: +65 6547-4333 Fax: +65 6547-4666

Date: March 5<sup>th</sup>, 2020

**Subject: Product Info : Radiance Keycard Switches (TM-020055)**

---

**Installation & Applications:**

1. Before installation, ensure that the main power supply is switched off and carry out installation by a qualified electrical technician.
2. Wire up the keycard switches as shown in the wiring diagram, ensure that the connections are properly tightened, use ferrule on wire if the wire size is not within the recommended.
3. After installation, power on the keycard switch, after a short warm-up time, the output power is on, with a delay of about 30 seconds, the output power is cut off, the unit now enter a standby mode.
4. To activate the output power, user slots in the card. To remove the output power, pull out the card. After a delay of 30 seconds, output power will be automatically cut off. The hotel guest will have sufficient time to leave the room during the time-delay power off.
5. Do not overloading the switch, the maximum current rating is as specified.
6. For RFID keycard switch, the card detector will continuously detect the presence of the RFID card in the slot every 30-second interval. If card is still presence the output relay contact shall remain closed.
7. For keycard switch with dry-contact output (e.g. K9-KT9), connected to a Room-Control Unit (RCU), the output is connected to the control system input to signal that the RFID card is present in the slot as in "Guest-IN" mode. This output contact usually does not control the output lighting load directly.
8. High-frequency (13.56MHz) RFID keycard switch supports compatible **MiFare Classic 1K and 4K cards only.**
9. Both low-frequency (125KHz) and high-frequency (13.56MHz) RFID keycard switch do not read data on the card, detect the correct card via frequency verification.

**Remarks:**

For enquiry about the Mifare Keycard Switch with data reading/card identification, please refer to our technical memo: TM-020083 (Mifare Keycard Switch)