

T&J ELECTRIC (SINGAPORE) PTE LTD

Company Registration No: 200205797Z
10 Ubi Crescent, #02-24, Ubi Techpark, Singapore 408564
Telephone: +65 6547-4333 Fax: +65 6547-4666

Date: 09/04/2013

Subject: Product Info: K271L-DP/S95 and K232LA (TM-020052)

Features:

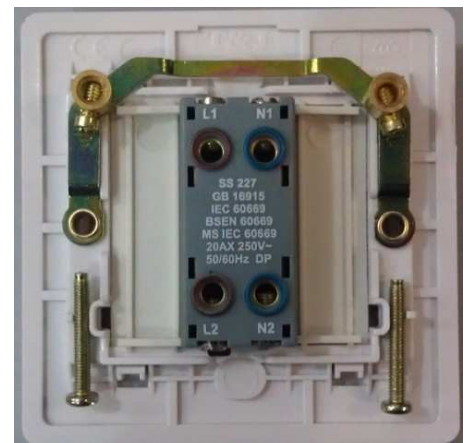
- 5mm ultra thin - streamined contact surface.
- Made from premium quality polycarbonate and top grade PA66 Nylon.
- It is fire and heat resistant, durable and shockproof.

Technical Data:

- Product Range: Radiance
- Finish : Polycarbonate
All color code for Radiance is applicable on this product.
Replaceable Frame: K1153R
- Operating temperature:
-5°C to +40°C
- Dimension: 86 * 86 mm
- Fix Center: 60.3 mm
- Fix Screws: M3.5 * 18 mm
- Mounting Box: 25 mm depth or higher
B1125 (for surface mounting)
M1025 (for flush mounting)
- Package: 10 pcs per box, 100 pcs per carton
- Comply to standards:
BS EN 60669
SS 227 with Safety Mark Approval



K271L-DP/S95,
K232LA (front view)



K271L-DP/S95(behind view)

Product Codes

K271L-DP/S95 : 20A 250V 1Gang Double Pole Switch with Neon ; with earth terminal

K232LA : 32A 250V Double Pole Switch with neon; with earth terminal

T&J ELECTRIC (SINGAPORE) PTE LTD

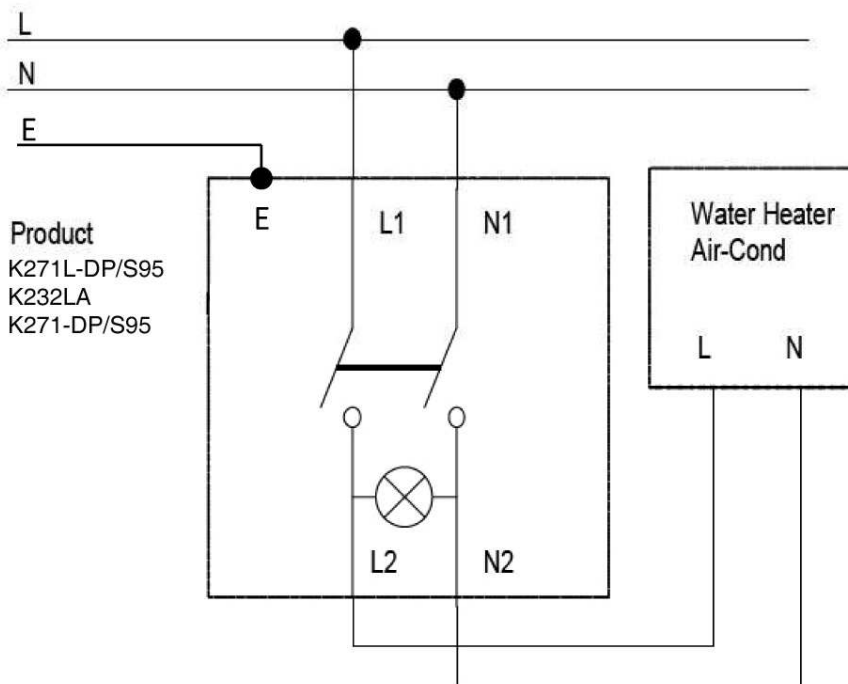
Company Registration No: 200205797Z
10 Ubi Crescent, #02-24, Ubi Techpark, Singapore 408564
Telephone: +65 6547-4333 Fax: +65 6547-4666

Date: 09/04/2013

Subject: Product Info: K271L-DP/S95 and K232LA (TM-020052)

Wiring Diagram

One Way Double Pole Circuit



Product
K271L-DP/S95
K232LA
K271-DP/S95

