

T&J ELECTRIC (SINGAPORE) PTE LTD

Company Registration No: 200205797Z
10 Ubi Crescent, #02-24, Ubi Techpark, Singapore 408564
Telephone: +65 6547-4333 Fax: +65 6547-4666

Date: 28/05/2012

Subject: Wiring Diagram for Switches with Blue LED

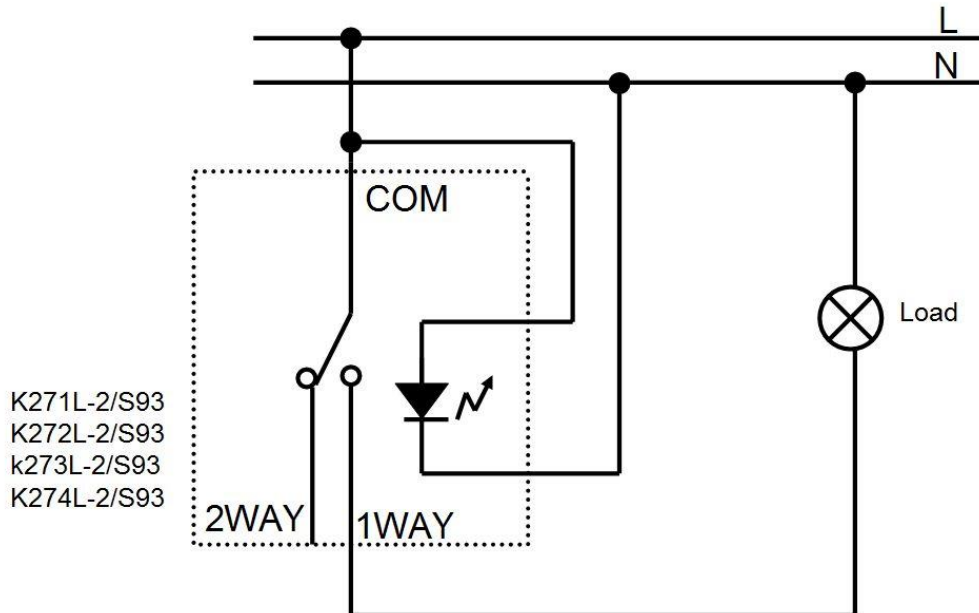
Applicable products

- K271L-2-X/S93
- K272L-2-X/S93
- K273L-2-X/S93
- K274L-2-X/S93

X : Color code

Configuration 1 :

Always-on Blue LED circuit



Remark: The Blue LED is always 'ON' in this configuration.

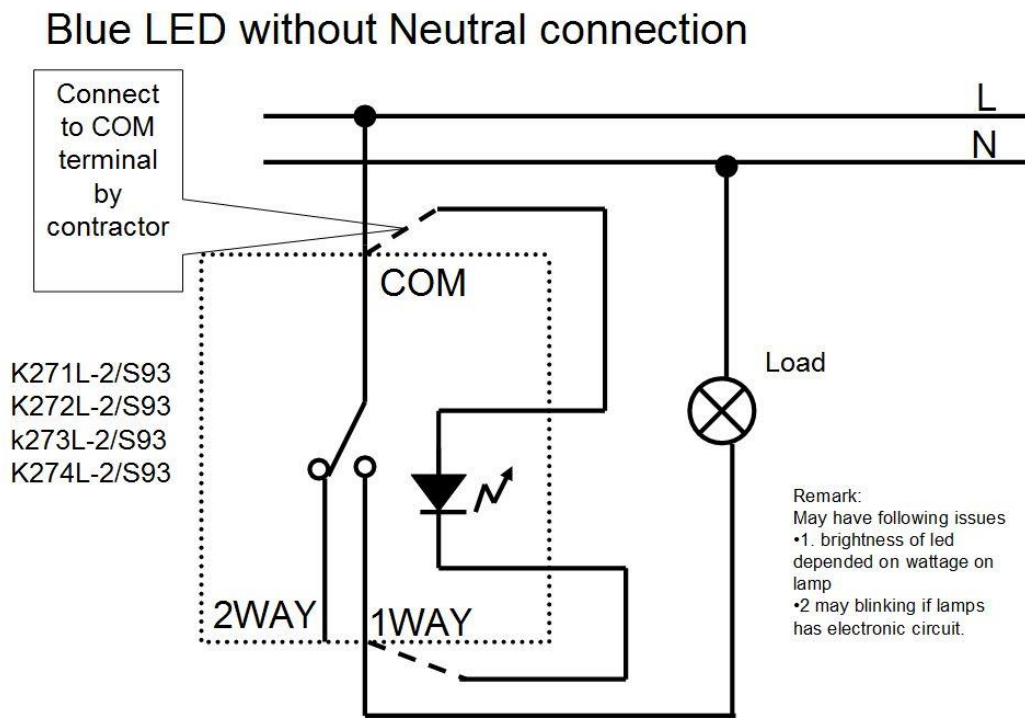
T&J ELECTRIC (SINGAPORE) PTE LTD

Company Registration No: 200205797Z
10 Ubi Crescent, #02-24, Ubi Techpark, Singapore 408564
Telephone: +65 6547-4333 Fax: +65 6547-4666

Date: 28/05/2012

Subject: **Wiring Diagram for Switches with Blue LED**

Configuration 2 :



Remark: This configuration may have the following issues.

- * **Brightness of LED depends on the wattage on the Lamp.**
- * **The lamp may be blinking if the lamp has electronic circuit.**
- * **It is not suitable for LED lamps.**

T&J ELECTRIC (SINGAPORE) PTE LTD

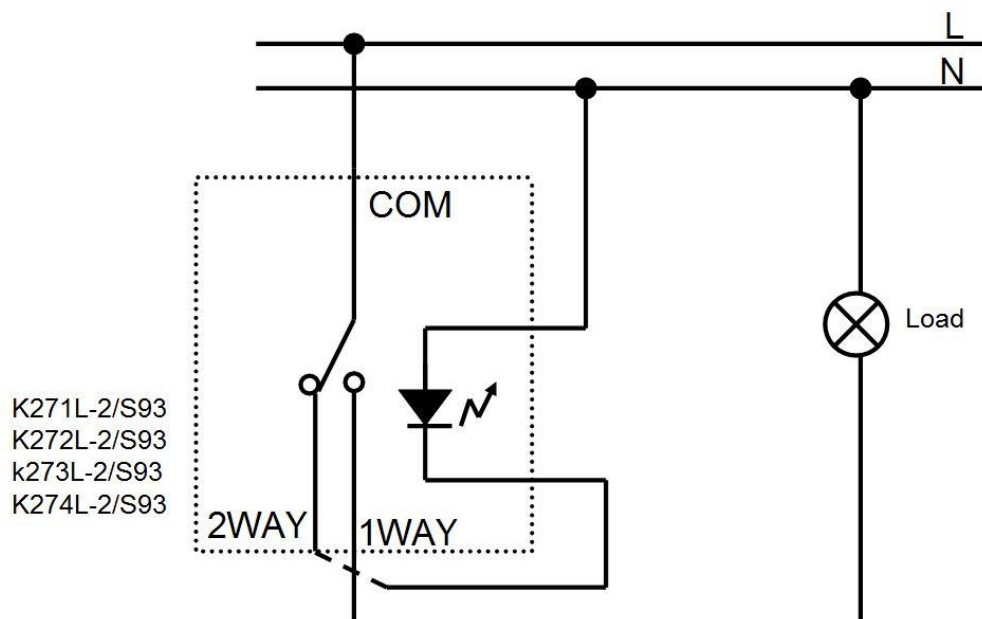
Company Registration No: 200205797Z
10 Ubi Crescent, #02-24, Ubi Techpark, Singapore 408564
Telephone: +65 6547-4333 Fax: +65 6547-4666

Date: 28/05/2012

Subject: Wiring Diagram for Switches with Blue LED

Configuration 3:

Blue LED circuit with Neutral connection



Remark :

This wiring will overcome the issues on brightness of Led, Blinking Lamp which may occur in configuration 2.