

## Subject: Datasheet: Titanium – 10A Wall Switch

---

### Features:

- Luxurious looking stainless steel plates with wide selection of finishes.
- 1.2mm super slim profile with screw-less face plate; compact and sleek.
- Quality Component material guarantees first-rate electrical performance.
- Choice of finishes.



10A 1Gang Switch

### Technical Specification

- Rated Voltage: 250V a.c. 50/60 Hz
- Rated Current: 10A - Fully rated for fluorescent and inductive load.
- Terminal Capacity:
- Gap between Contact:  
3mm nominal
- Contact Material:  
Ag-Ni Alloy
- Operating Temperature:  
-5oC to +40oC
- IP Rating:  
IP4X
- Dimensions:  
86 x 86 mm (1-3Gang)  
146 x 86 mm (4 Gang, 6 Gang)
- Fix Center:  
60.3 mm (1-3 Gang)

120.6mm (4 Gang, 6 Gang)

- Fix Screws:  
M3.5 x 0.6 x 25  
M3.5 x 0.6 x 15
- Comply to standards:  
BS EN 60669  
SS 227 with Safety Mark Approval  
MS 616 with SIRIM mark

### Package (Carton/Box)

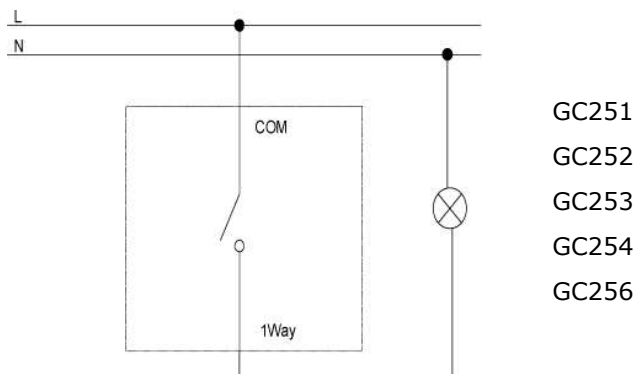
Pack Size: 50/1

### Mounting Box

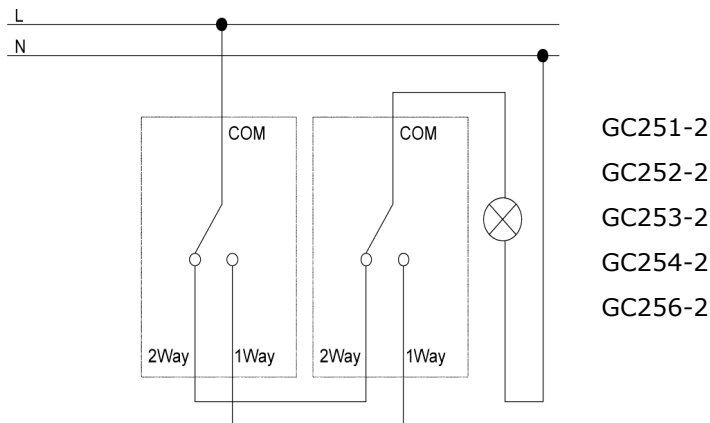
- 25mm depth or higher.  
B1125 (surface) 1-3 Gang  
B1125D (surface) 4 Gang, 6 Gang  
M1025 (flush) 1-3 Gang  
M1025D (flush) 4 Gang, 6 Gang

### Wiring Diagram

#### One Way Circuit



## Two Way Circuit



### Order Information

- GC251-XX /GC251-2-XX : 10A 250V 1 Gang 1Way/2Way Switch  
 GC252-XX /GC252-2-XX : 10A 250V 2 Gang 1Way/2Way Switch  
 GC253-XX /GC253-2-XX : 10A 250V 3 Gang 1Way/2Way Switch  
 GC254-XX /GC254-2-XX : 10A 250V 4 Gang 1Way/2Way Switch  
 GC256-XX /GC256-2-XX : 10A 250V 6 Gang 1Way/2Way Switch

-XX represents different finishes