

**T&J ELECTRIC (SINGAPORE) PTE LTD**

Company Registration No: 200205797Z  
10 Ubi Crescent, #02-24, Ubi Techpark, Singapore 408564  
Telephone: +65 6547-4333 Fax: +65 6547-4666

Date: March 1, 2006

**Subject: Technical Memo: Switches for Deco Range**

**Features:**

- Easy installation.
- Modular design to have different color and finish.
- Choose your favorite photo and simply insert into
- The translucent panel.
- Made from premium quality polycarbonate and top grade PA66 Nylon. It is fire and heat resistant, durable and shockproof.
- Green LED or fluorescent indicator on the faceplate of switch.

**Technical Specification:**

- Rated Voltage: 250V A.C. 50/60Hz
- Rated Current: 10AX - Fully rated for fluorescent and Inductive load.
- Gap between Contact:  $\geq 3\text{mm}$
- Contact Material: Ag-Ni Alloy
- No of Operation: 40, 000 operation at 10A.
- Operating Temperature:  $-5^{\circ}\text{C}$  to  $40^{\circ}\text{C}$
- IP Rating: IP4X
- Dimensions (W\*H)  
115x72 mm (1-3 Gang)



**T&J ELECTRIC (SINGAPORE) PTE LTD**

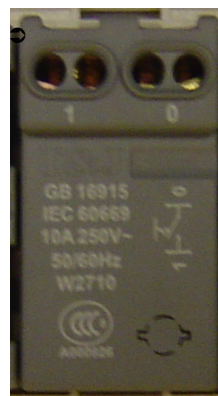
Company Registration No: 200205797Z  
10 Ubi Crescent, #02-24, Ubi Techpark, Singapore 408564  
Telephone: +65 6547-4333 Fax: +65 6547-4666

Date: March 1, 2006

**Subject: Technical Memo: Switches for Deco Range**

156×72 mm (4 Gang \* 1 row)  
200×72 mm (6 Gang \* 1 row)

- Screw Fix Center
  - 83.3..90mm (1-3 Gang)
  - 120mm (4 Gang \* 1 row)
  - 164.2mm (6 Gang \* 1 row)
- Fix Screws: 6# 32T×1-1/4"
- No. of cores to each Terminal hole:
  - 3×1.0mm<sup>2</sup>
  - 2×1.5mm<sup>2</sup>
  - 1×2.5mm<sup>2</sup>
  - 1×4.0mm<sup>2</sup>
 Each terminal has 2 hole for connecting the cable.
- Complied Standard:
  - IEC 60669
  - GB 16915
- Package:
  - 10/200 (1-3 Gang)
  - 10/200 (4 Gang \* 1 row)
  - 10/100 (6 Gang \* 1 row)
- Mounting Box:
  - 48mm Depth
  - W111 : flush (1-3 Gang)
  - W112 : flush (4 Gang \* 1 row)
  - W113 : flush (6 Gang \* 1 row)



Terminal

**T&J ELECTRIC (SINGAPORE) PTE LTD**

Company Registration No: 200205797Z  
10 Ubi Crescent, #02-24, Ubi Techpark, Singapore 408564  
Telephone: +65 6547-4333 Fax: +65 6547-4666

Date: March 1, 2006

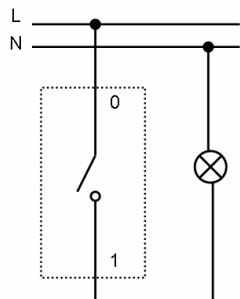
Subject: **Technical Memo: Switches for Deco Range**

**Wiring Diagram:**

**One Way Circuit**

Complete Product:  
W281  
W282  
W283  
W271  
W272  
W273

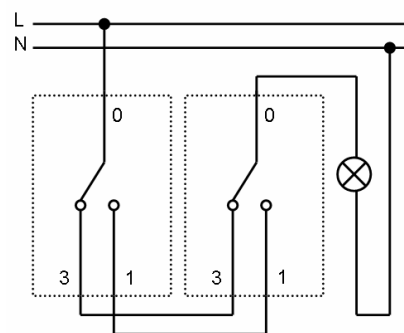
Modules:  
W2711  
W2711A



**Two Way Circuit**

Complete Product:  
W281-2  
W282-2  
W283-2  
W271-2  
W272-2  
W273-2

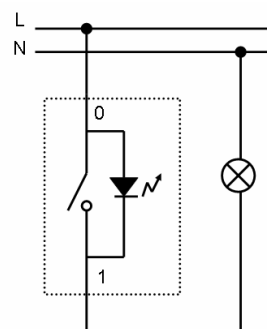
Modules:  
W2711-2  
W2711A-2



**One Way Circuit with Dark-on LED (Method 1)**

Complete Product:  
W281L  
W282L  
W283L  
W271L  
W272L  
W273L

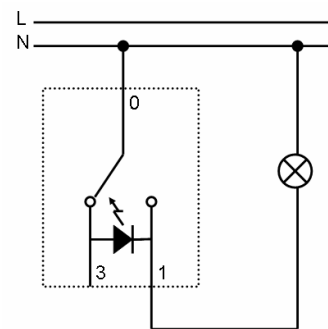
Modules:  
W2711L



**One Way Circuit with Dark-on LED (Method 2)**

Complete Product:  
W281L-2  
W282L-2  
W283L-2  
W271L-2  
W272L-2  
W273L-2

Modules:  
W2711L-2



**T&J ELECTRIC (SINGAPORE) PTE LTD**

Company Registration No: 200205797Z  
10 Ubi Crescent, #02-24, Ubi Techpark, Singapore 408564  
Telephone: +65 6547-4333 Fax: +65 6547-4666

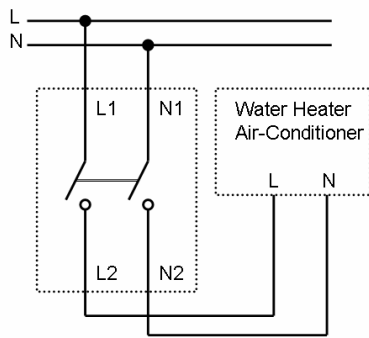
Date: March 1, 2006

Subject: **Technical Memo: Switches for Deco Range**

**Double Pole Circuit**

Complete Product:  
W280-DP  
W271-DP

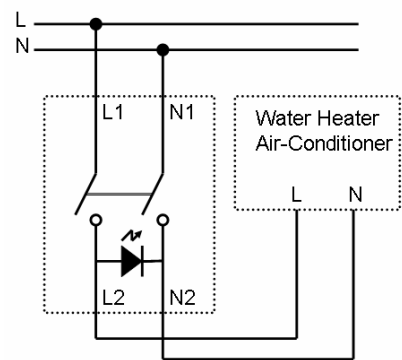
Modules:  
W2720-DP



**Double Pole Circuit with LED**

Complete Product:  
W280L-DP  
W271L-DP

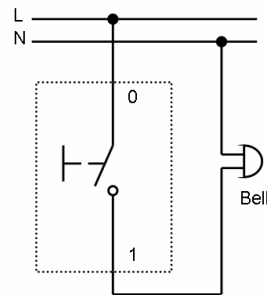
Modules:  
W2720L-DP



**Bell Circuit**

Complete Product:  
W280-DP  
W271-DP

Modules:  
W2720-DP



**One Way Circuit with LED**

Complete Product:  
W280L-DP  
W271L-DP

Modules:  
W2720L-DP

