

T&J ELECTRIC (SINGAPORE) PTE LTD

Company Registration No: 200205797Z
10 Ubi Crescent, #02-24, Ubi Techpark, Singapore 408564
Telephone: +65 6547-4333 Fax: +65 6547-4666

Date: April 13, 2018

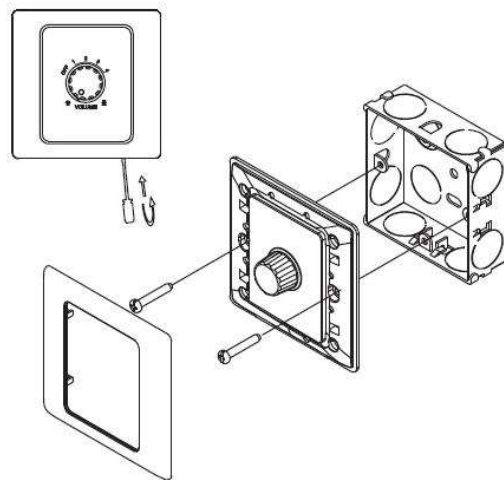
**Subject: Product Info: K3-V/V3-V (Volume Control with Over-ride Feature)
(TM-020015.2)**

Overview:

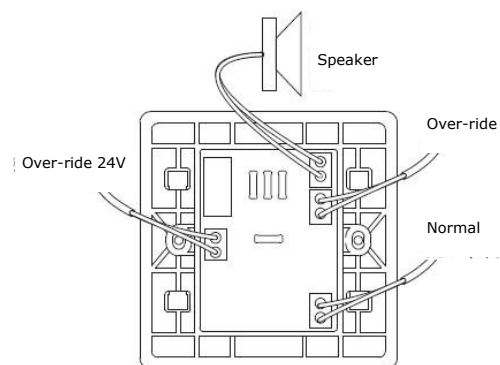
- The front plate has a knob to select the four different loudness levels.
- An over-ride audio signal shall be broadcasted when the over-ride 24V control signal is activated.

Technical Data:

- Product Range: Radiance/Glare
All color code for Radiance/Glare is applicable on this product.
- Power: 6W with 6 Ohm.
- Static Power Consumption: 0W
- Terminal Hole: 4mm diameter.
- Operating temperature: -5°C to +40°C
- Dimension: 86 * 86 mm
- Fix Center: 60.3 mm
- Fix Screws: M3.5 * 18 mm
- Mounting Box: 35 mm depth or higher
B1135 (for surface mounting)
M1035 (for flush mounting)
- Package: 10 pcs per box, 100 pcs per carton



Installation Diagram (K3-V)



Installation Diagram (K3-V)

T&J ELECTRIC (SINGAPORE) PTE LTD

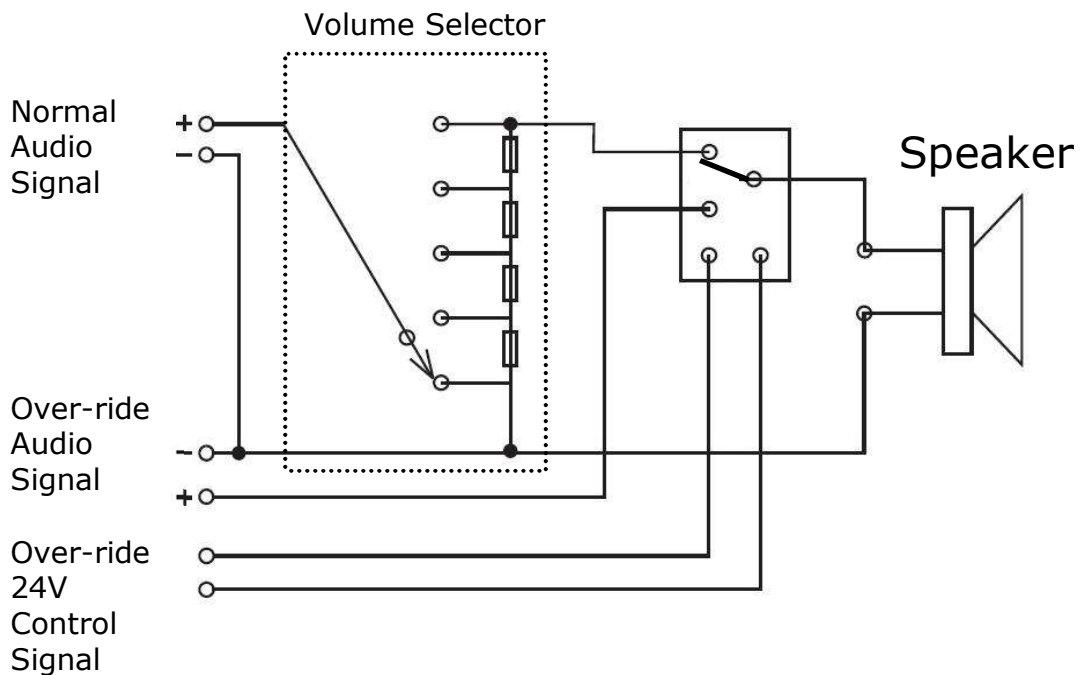
Company Registration No: 200205797Z
10 Ubi Crescent, #02-24, Ubi Techpark, Singapore 408564
Telephone: +65 6547-4333 Fax: +65 6547-4666

Date: April 13, 2018

Subject: Product Info: K3-V/V3-V (Volume Control with Over-ride Feature) (TM-020015.2)

Schematic Diagram (K3-V)

- When "Over-ride 24V Control Signal" is not activated, the internal switch shall connect "Normal Audio Signal" to speaker via volume selector.
- When "over-ride 24V Control Signal" is activated, the internal switch can connect speaker to "Over-ride audio signal" with maximum loudness level.



T&J ELECTRIC (SINGAPORE) PTE LTD

Company Registration No: 200205797Z
10 Ubi Crescent, #02-24, Ubi Techpark, Singapore 408564
Telephone: +65 6547-4333 Fax: +65 6547-4666

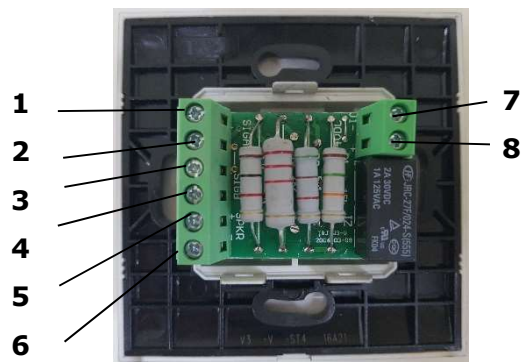
Date: April 13, 2018

Subject: **Product Info: K3-V/V3-V (Volume Control with Over-ride Feature) (TM-020015.2)**

Schematic diagram for V3-V (Glare)



Front View



Back View

Volume Control V3-V

