

Product Code	Description
HC4226KT	20A 230V Keycard Switch With Timed-Off Delay



HC4226KT

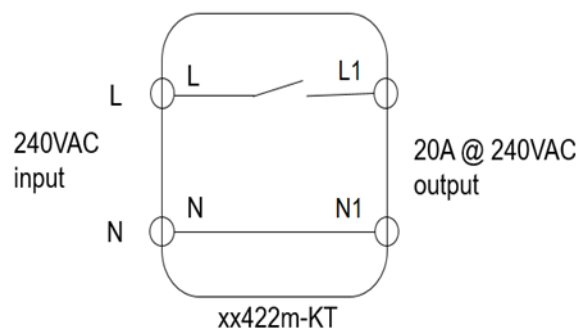


Product back view

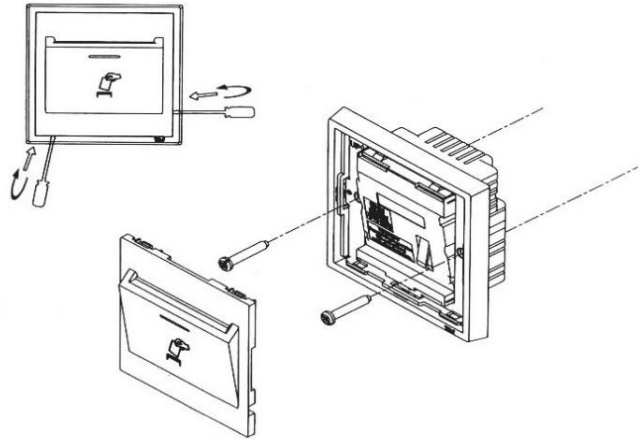
## Technical Specification

- Rated supply voltage: 100-240VAC
- Output Relay: 20A, 250VAC
- Recommended wire size:  
4mm<sup>2</sup> - 6mm<sup>2</sup>
- Off-delay time: 35±10s
- Card detection method:  
Mechanical (micro-switch)
- Dimensions:  
86 x 86 x 10 mm (WxHxD)
- Fix Center: 60.3mm
- Fix Screw: M3.5 x 0.6 x 30mm±
- Mounting box: >35mm depth
  - R1150, flush mounting, plastic  
(80 x 80 x 48.4mm) (WxHxD)
  - M1247, flush mounting, metal  
(79 x 73 x 47mm) (WxHxD)
- Comply to standards:  
GB/T 16915、IEC 60669

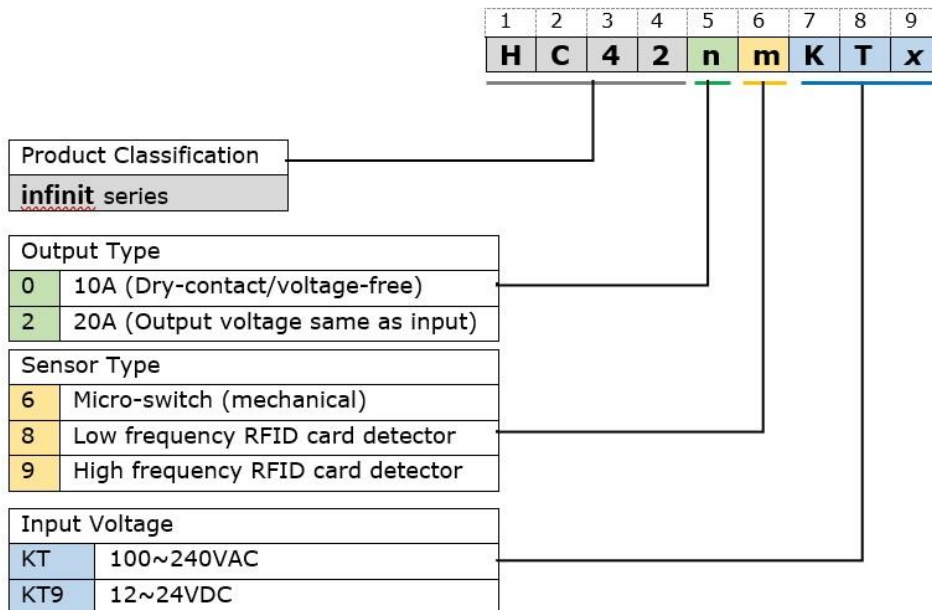
## Wiring Diagram:



## Installation Method








### Other Infini Keycard Switch selection:



Card Detection Method	Product code	Input Voltage	Output (max. rating)
Mechanical (Micro-switch)	HC4226KT	100~240VAC	20A 100-240VAC
	HC4206KT	100~240VAC	Dry-contact (10A@240VAC)
	HC4206KT9	12~24VDC	Dry-contact (10A@240VAC)
RF, Low Frequency (125KHz)	HC4228KT	100~240VAC	20A, 100~240VAC
	HC4208KT	100~240VAC	Dry-contact (10A@240VAC)
	HC4208KT9	12~24VDC	Dry-contact (10A@240VAC)
RF, High Frequency* (13.56MHz)	HC4229KT	100~240VAC	20A, 100~240VAC
	HC4209KT	100~240VAC	Dry-contact (10A@240VAC)
	HC4209KT9	12~24VDC	Dry-contact (10A@240VAC)

\* MiFare Classic 1K and 4K RFID card

Product Code	Colour
HC4226KT	 White
HC4226KT-SBL	 Matt Black (SBL)
HC4226KT-MSB	 Matt Silver Black (MSB)
HC4226KT-PS7	 Dark Champagne (PS7)
HC4226KT-ST5	 Champagne Grey (ST5)
<i>For other colours, please contact T&amp;J Sales representative</i>	

