

Product Code	Description
HC2715	10A 1 Gang Intermediate Switch



HC2715

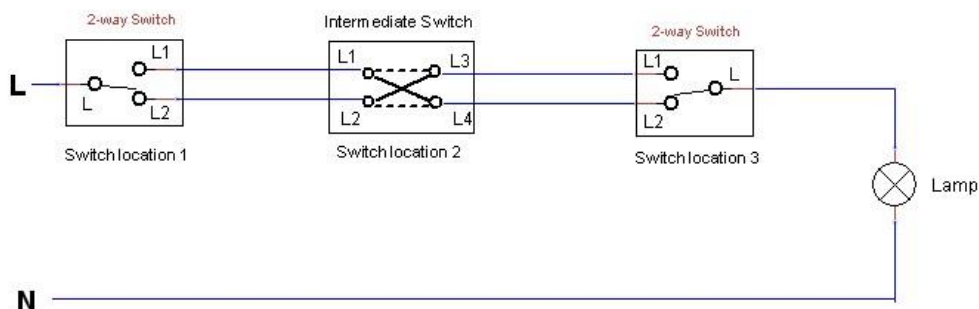


Product back view

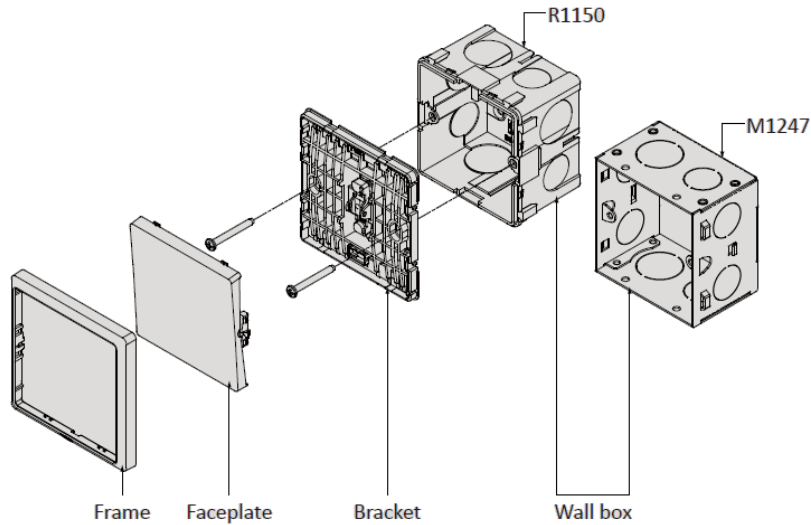
### Technical Specification

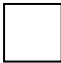




- Rated Voltage: 250VAC, 50/60Hz
- Rated Current: 10AX
- Recommended wire size:  
1.5mm<sup>2</sup> - 2.5mm<sup>2</sup>
- Isolating Gap Contact: 3mm nominal
- Contact Material: Silver-Nickel Alloy
- Operating Temperature:  
-5°C to +40°C
- IP Rating: IP2X
- No. of operations:  
40,000 operation at 10 Amp.
- Dimensions: 86 x 86 x 10mm (WxHxD)
- Fix Center: 60.3mm
- Fix Screw: M3.5 x 0.6 x 30mm±
- Mounting box: >25mm depth
  - R1150, flush mounting, plastic (80 x 80 x 48.4mm) (WxHxD)
  - M1247, flush mounting, metal (79 x 73 x 47mm) (WxHxD)
- Comply to standards:  
BS EN 60669-1  
IEC 60669-1  
GB/T 16915.1

### Typical Intermediate switch wiring



## Installation Method



Product Code	Colour
HC2715	 White
HC2715-SBL	 Matt Black (SBL)
HC2715-MSB	 Matt Silver Black (MSB)
HC2715-PS7	 Dark Champagne (PS7)
HC2715-ST5	 Champagne Grey (ST5)
<i>For other colour, please contact T&amp;J Sales representative</i>	

